

FINE EQUIPMENTS
www.fineequipment.net

**FINE UNIC CRANES,
BUILT FOR PERFORMANCE.**

UNIC cranes are renowned for superior lifting performance, wide operational range, ease of operation and unparalleled safety features. These multi-purpose hydraulic cranes are engineered to handle a broad variety of loading operations.

STRENGTH YOU CAN TRUST

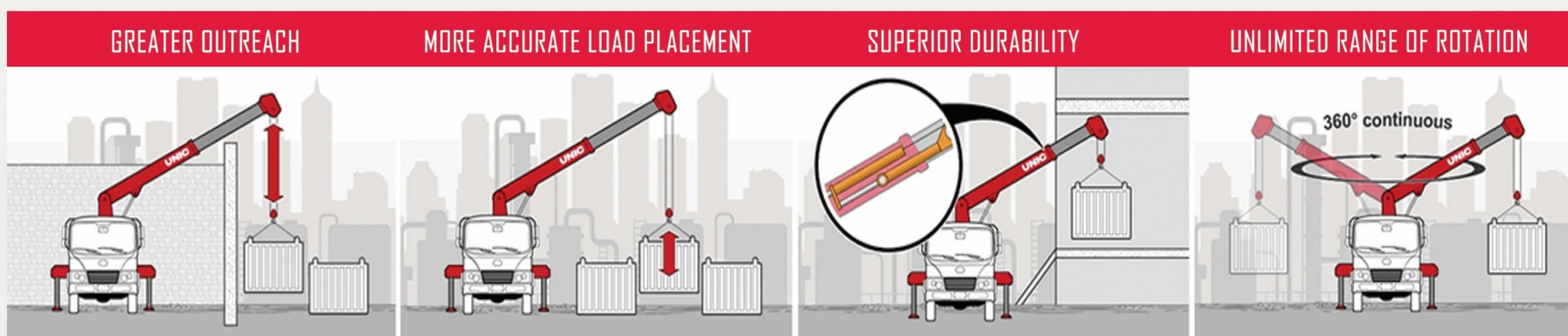


MODEL WISE SPECIFICATIONS

| Crane Model | Max Lifting Capacity (t @ m) | Boom Sections (#) | Min - Max Outreach (m) | Max Hook Height | Max Hook Depth | Max Boom Angle | Outrigger Span | Hydraulic Tank Capacity | Sleeving Speed |
|-------------|--------------------------------|-------------------|------------------------|-----------------|----------------|----------------|----------------|-------------------------|----------------|
| UR-V293 | 3.03 @ 1.6 | 3 | 0.66 - 6.43 | 7.60 m | - 7.40 m | 76° | 3400 mm | 22 liters | 2.5 rpm |
| UR-V294 | | 4 | 0.75 - 8.73 | 9.80 m | - 10.10 m | | | | |
| UR-V373 | 3.03 @ 2.7 | 3 | 0.65 - 7.51 | 9.20 m | - 8.70 m | 78° | 4200 mm | 32 liters | 2.5 rpm |
| UR-V374 | | 4 | 0.67 - 9.81 | 11.40 m | - 11.50 m | | | | |
| UR-V503 | 5.05 @ 2.5 | 3 | 0.69 - 8.13 | 10.10 m | - 9.40 m | 78° | 4800 mm | 60 liters | 2.5 rpm |
| UR-V504 | | 4 | 0.70 - 10.63 | 12.50 m | - 12.50 m | | | | |
| UR-V803 | 8.07 @ 2.5 | 3 | 1.21 - 9.20 | 10.80 m | - 10.00 m | 72° | 5100 mm | 90 liters | 1.5 rpm |
| UR-V804 | | 4 | 1.24 - 12.5 | 14.00 m | - 13.70 m | | | | |
| URG - 1204 | 12.00 @ 2.5 | 4 | 1.23 - 16.0 | 17.70 m | - | 76° | 6000 mm | 150 liters | 2.0 rpm |
| URV - 1505 | 15.00 @ 2.3 | 5 | 1.05 - 18.11 | 20.00 m | - | 76° | 7200 mm | 200 liters | 2.0 rpm |

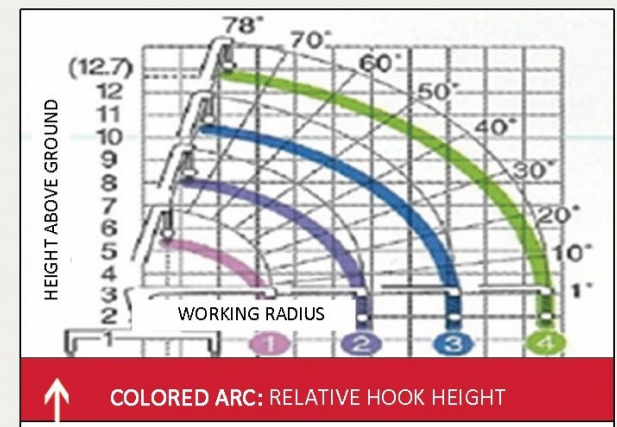
| Crane Model | Boom Extension Speed (m / sec) | Hoisting Speed | Boom raising Speed (1 ⁰ -max ⁰) | Wire Rope | Line Pull | Hook Block | Hydraulic Pump | Hydraulic Pressure |
|-------------|--------------------------------|------------------------------|--------------------------------------------------------|-------------------------------|-----------|------------|-----------------------|--------------------|
| UR-V293 | 3.81 / 10 | 17.0 m/min @ 4th layer 4PL | 5 seconds | IWRC6 x WS(26) (8mm x 44 m) | 750 Kg | 3000 kg | 53 L / min @ 1700 rpm | 20.6 Mpa |
| UR-V294 | 5.73 / 11 | | | IWRC6 x WS(26) (8mm x 54 m) | | | | |
| UR-V373 | 4.39 / 11 | 19.0 m/min @ 4th layer, 4PL | 7 seconds | IWRC6 x WS(26) (8mm x 51 m) | 750 Kg | 3000 kg | 60 L / min @ 1700 rpm | 20.6 Mpa |
| UR-V374 | 6.59 / 14 | | | IWRC6 x WS(26) (8mm x 62.5 m) | | | | |
| UR-V503 | 4.83 / 17.5 | 17.0 m/min @ 4th layer 4PL | 12 seconds | IWRC6 x WS(26) (10mm x 56m) | 1250 kg | 5000 kg | 60 L / min @ 1400 rpm | 20.6 Mpa |
| UR-V504 | 7.27 / 21.5 | | | IWRC6 x WS(26) (10mm x 69 m) | | | | |
| UR-V803 | 5.30 / 22.5 | 9.80 m / min @ 4th layer 6PL | 22.5 seconds | IWRC6 x WS(29) (10mm x 86 m) | 1345 kg | 8000 kg | 60 L / min @ 1400 rpm | 20.6 Mpa |
| UR-V804 | 8.50 / 29 | | | IWRC6 x WS(29) (10mm x 108 m) | | | | |
| URG - 1204 | 10.71 / 26.5 | 15m/mn @ 4L 6PL | 12.5 seconds | IWRC6 x WS(26) (12mm x 135 m) | 2000 kg | 12000 kg | 100LPM/1250 | 28.0 Mpa |
| URV - 1505 | 12.80 / 45 | 10m/mn @ 4L 6PL | 20.0 seconds | IWRC6 x WS(29) (14mm x 150 m) | 2700 kg | 15000 kg | 110LPM/1020 | 28.0 Mpa |

| Truck Crane Mounting detail (*) | | | | | | Suitable Truck | |
|---------------------------------|-----------|-----------|------------------------------------------|----------------------------------------------------------|-----------------|------------------|---------|
| Crane Model | Height mm | Length mm | Width at Outrigger in Retracted position | Min Mounting space occupied between Cabin and Cargo Body | Weight of Crane | Wheel base min | GVW min |
| UR-V293 | 1851 | 2979 | 1710 mm | 575 mm | 955 kg | 3200 mm | 4.5 t |
| UR-V294 | 1859 | 3359 | | | 1135 kg | | |
| UR-V373 | 2092 | 3494 | 2150 mm | 650 mm | 1045 kg | 3800 mm | 10t |
| UR-V374 | 2095 | 3594 | | | 1135 kg | | |
| UR-V503 | 2312 | 3720 | 2370 mm | 750 mm | 1450 kg | 4200 mm | 16t |
| UR-V504 | 2312 | 3779 | | | 1575 kg | | |
| UR-V803 | 2345 | 4325 | 2460 mm | 1100 mm | 2850 kg | Multi axle Truck | 25t |
| UR-V804 | 2373 | 4425 | | | 3100 kg | | |
| URG - 1204 | 2615 | 6322 | 2300 mm | 1150 mm | 4700kg | Multi axle Truck | 25t |
| URV - 1505 | 2623 | 7750 | 2270 mm | 1350 mm | 7070 kg | | |



STRENGTH YOU CAN TRUST

FINE UNIC CRANES, BUILT FOR PERFORMANCE



| | | | | | | | | | | | | |
|----------------------------|-----------------------|--------------|------|------|------|---------------|------|------|---------------|------|------|--|
| Crane Model UR-V 293 | Working Radius | 1.70 | 1.80 | 2.00 | 2.50 | 3.00 | 3.50 | 4.00 | 5.00 | 6.00 | 6.43 | |
| | Rated Load Boom 1 | 3.03 | 2.55 | 2.28 | 1.83 | 1.73 @ 2.62 m | | | | | | |
| | Hook Height B1 | 3.25 | 3.25 | 3.00 | 2.50 | 2.50 | | | | | | |
| | Rated Load Boom 1+2 | 3.03 | 2.55 | 2.28 | 1.83 | 1.48 | 1.25 | 1.08 | 0.98 @ 4.55 m | | | |
| | Hook Height B2 | 5.25 | 5.25 | 5.00 | 5.00 | 4.75 | 4.25 | 3.50 | 1.50 | | | |
| | Rated Load Boom 1+2+3 | 1.28 @ 2.2 M | | | 1.63 | 1.33 | 1.13 | 0.98 | 0.78 | 0.63 | 0.58 | |
| Hook Height B3 | | | 7.60 | 7.25 | 7.00 | 6.75 | 6.25 | 5.25 | 3.50 | 1.50 | | |

| | | | | | | | | | | | | | | | | |
|----------------------------|-----------------------|------|------|------|------|------|------|------|------|------|------|------|------|------|------|------|
| Crane Model UR-V 373 | Working Radius | 2.00 | 2.50 | 2.70 | 3.00 | 3.20 | 3.50 | 4.00 | 4.50 | 5.00 | 5.50 | 6.00 | 6.50 | 7.00 | 7.51 | |
| | Rated Load Boom 1 | 3.03 | 3.03 | 3.03 | 2.48 | 2.30 | | | | | | | | | | |
| | Hook Height B1 | 4.00 | 3.50 | 3.00 | 1.50 | 1.50 | | | | | | | | | | |
| | Rated Load Boom 1+2 | 3.03 | 3.03 | 3.03 | 2.48 | 2.28 | 2.03 | 1.73 | 1.53 | 1.33 | 1.25 | | | | | |
| | Hook Height B2 | 6.75 | 6.50 | 6.25 | 6.00 | 5.75 | 5.50 | 5.00 | 4.50 | 3.00 | 1.50 | | | | | |
| | Rated Load Boom 1+2+3 | | | 2.33 | 2.33 | 2.13 | 2.03 | 1.78 | 1.18 | 1.28 | 1.13 | 1.03 | 0.93 | 0.83 | 0.73 | 0.68 |
| Hook Height B3 | | | 8.75 | 8.75 | 8.75 | 8.50 | 8.50 | 8.25 | 8.00 | 7.50 | 7.00 | 6.00 | 5.50 | 4.00 | 1.50 | |

| | | | | | | | | | | | | | | | | |
|----------------------------|-------------------------|------|------|------|------|------|-------|-------|-------|------|------|------|------|------|------|------|
| Crane Model UR-V 374 | Working Radius | 2.00 | 2.50 | 2.70 | 3.00 | 3.20 | 3.50 | 4.00 | 4.50 | 5.00 | 6.00 | 7.00 | 8.00 | 9.00 | 9.81 | |
| | Rated Load Boom 1 | 3.03 | 3.03 | 2.63 | 2.33 | 2.13 | | | | | | | | | | |
| | Hook Height B1 | 4.00 | 3.50 | 3.00 | 2.00 | 1.50 | | | | | | | | | | |
| | Rated Load Boom 1+2 | 3.03 | 3.03 | 2.63 | 2.33 | 2.18 | 1.98 | 1.68 | 1.48 | 1.28 | | | | | | |
| | Hook Height B2 | 6.75 | 6.50 | 6.25 | 6.00 | 6.00 | 5.75 | 5.50 | 4.50 | 3.00 | | | | | | |
| | Rated Load Boom 1+2+3 | | | 2.33 | 2.33 | 2.13 | 2.03 | 1.73 | 1.43 | 1.23 | 1.08 | 0.98 | 0.88 | 0.80 | 0.73 | 0.68 |
| | Hook Height B3 | 9.00 | 8.75 | 8.75 | 8.75 | 8.50 | 8.50 | 8.25 | 8.00 | 7.50 | 6.00 | 4.00 | 1.50 | | | |
| | Rated Load Boom 1+2+3+4 | | | | | | | 1.03 | 0.93 | 0.83 | 0.73 | 0.63 | 0.56 | 0.50 | 0.48 | |
| Hook Height B4 | | | | | | | 10.75 | 10.50 | 10.00 | 9.50 | 8.50 | 7.00 | 5.50 | 1.50 | | |

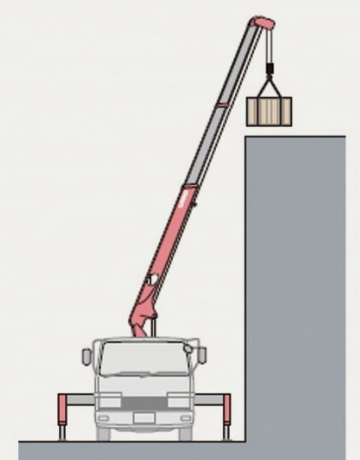
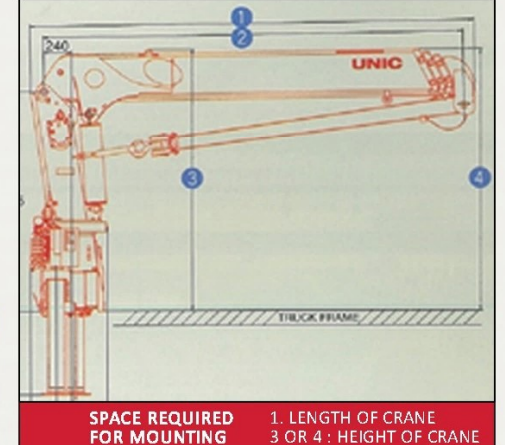
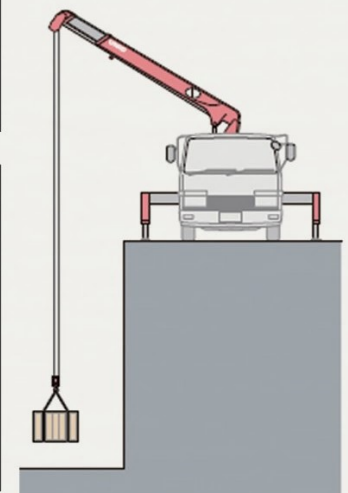
| | | | | | | | | | | | | |
|----------------------------|-----------------------|------|-------|------|------|------|------|------|------|------|------|------|
| Crane Model UR-V 503 | Working Radius | 2.50 | 3.00 | 3.50 | 4.00 | 4.50 | 5.00 | 5.50 | 6.00 | 7.00 | 8.13 | |
| | Rated Load Boom 1 | 5.05 | 4.05 | 3.20 | | | | | | | | |
| | Hook Height B1 | 3.75 | 3.00 | 1.50 | | | | | | | | |
| | Rated Load Boom 1+2 | 4.05 | 4.05 | 3.35 | 2.95 | 2.60 | 2.30 | 2.00 | | | | |
| | Hook Height B2 | 7.25 | 6.75 | 6.50 | 5.75 | 5.50 | 4.25 | 1.50 | | | | |
| | Rated Load Boom 1+2+3 | | | 3.05 | 3.05 | 2.95 | 2.60 | 2.30 | 2.00 | 1.75 | 1.45 | 1.25 |
| Hook Height B3 | | | 10.00 | 9.50 | 9.25 | 9.00 | 8.50 | 8.00 | 7.50 | 6.00 | 1.50 | |

| | | | | | | | | | | | | | | | |
|----------------------------|-------------------------|------|------|-------|-------|-------|-------|-------|-------|-------|------|------|-------|------|--|
| Crane Model UR-V 504 | Working Radius | 2.50 | 3.00 | 3.50 | 4.00 | 4.50 | 5.00 | 5.50 | 6.00 | 7.00 | 8.00 | 9.00 | 10.63 | | |
| | Rated Load Boom 1 | 5.05 | 4.05 | 3.20 | | | | | | | | | | | |
| | Hook Height B1 | 4.25 | 3.00 | 1.50 | | | | | | | | | | | |
| | Rated Load Boom 1+2 | 4.05 | 4.05 | 3.35 | 2.95 | 2.60 | 2.30 | 1.95 | 1.80 | | | | | | |
| | Hook Height B2 | | | 7.25 | 6.75 | 6.50 | 6.00 | 5.00 | 4.00 | 1.50 | | | | | |
| | Rated Load Boom 1+2+3 | | | 3.05 | 3.05 | 2.95 | 2.60 | 2.30 | 1.95 | 1.75 | 1.40 | 1.15 | | | |
| | Hook Height B3 | | | 9.00 | 9.50 | 9.25 | 9.00 | 8.50 | 8.00 | 7.50 | 6.00 | 1.50 | | | |
| | Rated Load Boom 1+2+3+4 | | | | 2.05 | 2.05 | 2.05 | 1.85 | 1.65 | 1.50 | 1.25 | 1.10 | 1.00 | 0.80 | |
| Hook Height B4 | | | | 12.25 | 12.00 | 11.75 | 11.75 | 11.25 | 11.00 | 10.00 | 9.75 | 8.00 | 1.50 | | |

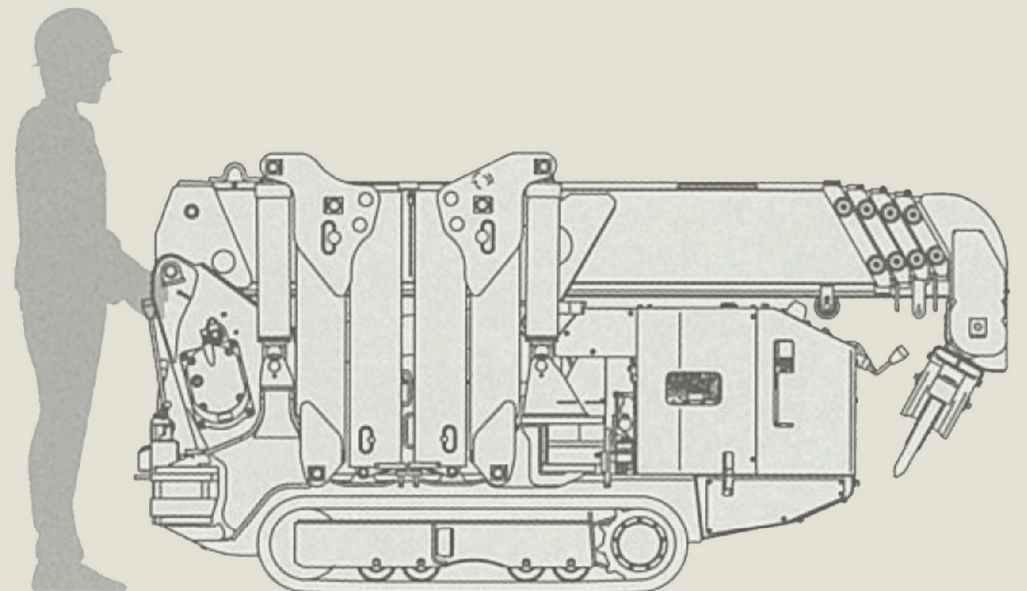
| | | | | | | | | | | | | | | | |
|----------------------------|-----------------------|------|------|------|-------|-------|-------|-------|------|------|------|------|------|------|------|
| Crane Model UR-V 803 | Working Radius | 2.00 | 2.50 | 2.70 | 3.00 | 3.50 | 4.00 | 4.50 | 5.00 | 5.50 | 6.00 | 7.00 | 8.00 | 9.20 | |
| | Rated Load Boom 1 | 8.07 | 8.07 | 7.07 | 6.07 | 5.17 | 4.67 | | | | | | | | |
| | Hook Height B1 | 5.25 | 4.75 | 4.50 | 4.50 | 3.75 | 1.75 | | | | | | | | |
| | Rated Load Boom 1+2 | | | 6.07 | 6.07 | 6.07 | 5.17 | 4.57 | 4.12 | 3.67 | 3.37 | 3.07 | 2.67 | | |
| | Hook Height B2 | | | 8.00 | 8.00 | 7.75 | 7.50 | 7.25 | 6.75 | 6.25 | 5.50 | 4.50 | 1.75 | | |
| | Rated Load Boom 1+2+3 | | | | | 3.07 | 3.07 | 3.07 | 3.07 | 3.07 | 3.07 | 3.07 | 2.47 | 2.07 | 1.67 |
| Hook Height B3 | | | | | 10.50 | 10.50 | 10.25 | 10.00 | 9.75 | 9.50 | 9.00 | 8.00 | 6.50 | 1.75 | |

| | | | | | | | | | | | | | | | | | | | | | |
|----------------------------|-------------------------|-------|-------|-------|-------|-------|-------|-------|--------------------|-------|-------|-------|-------|--------------------|-------|-------|-------|---------------------|-------|------|--|
| Crane Model URG 1204 | Working Radius | 2.50 | 3.00 | 3.50 | 4.00 | 4.50 | 5.50 | 5.50 | 6.00 | 7.00 | 8.00 | 9.00 | 10.00 | 11.00 | 12.00 | 13.00 | 14.00 | 15.00 | 16.00 | | |
| | Rated Load Boom 1 | 12.00 | 10.10 | 8.50 | 7.40 | 6.50 | 6.50 | 5.5* | *(5.5 t at 5.29 m) | | | | | | | | | | | | |
| | Hook Height B1 | 6.75 | 6.50 | 6.00 | 5.50 | 5.00 | 3.50 | 1.00 | | | | | | | | | | | | | |
| | Rated Load Boom 1+2 | | | 7.50 | 7.50 | 0.50 | 6.50 | 5.70 | 5.00 | 4.60 | 4.10 | 3.60 | 3.00 | *(3.0 t at 8.98 m) | | | | | | | |
| | Hook Height B2 | | | 10.75 | 10.50 | 10.25 | 9.75 | 9.50 | 9.00 | 8.75 | 7.75 | 6.00 | 4.00 | | | | | | | | |
| | Rated Load Boom 1+2+3 | | | | 5.70 | 5.70 | 5.60 | 5.50 | 4.90 | 4.40 | 3.50 | 3.10 | 2.70 | 2.50 | 2.20 | 2.00 | 1.9 | *(1.9 t at 15.58 m) | | | |
| | Hook Height B3 | | | | 14.25 | 14.00 | 14.00 | 13.75 | 13.50 | 13.25 | 12.50 | 11.75 | 11.00 | 9.75 | 8.00 | 6.00 | 5.00 | | | | |
| | Rated Load Boom 1+2+3+4 | | | | | 4.50 | 4.50 | 4.50 | 4.20 | 3.90 | 3.50 | 3.00 | 2.70 | 2.40 | 2.10 | 1.90 | 1.70 | 1.50 | 1.40 | 1.30 | |
| Hook Height B4 | | | | | 18.00 | 17.75 | 17.50 | 17.25 | 17.00 | 16.50 | 16.00 | 15.50 | 14.75 | 13.75 | 12.75 | 11.50 | 10.00 | 7.50 | 1.00 | | |

| | | | | | | | | | | | | | | | | | | | | | |
|----------------------------|-------------------------|-------|-------|-------|-------|-------|-------|-------|-------|-------|-------|-------|-------|----------------------|-------|-------|----------------|-------|-------|--|--|
| Crane Model URV 1505 | Working Radius | 2.30 | 3.00 | 4.00 | 5.00 | 5.31 | 6.00 | 7.00 | 8.00 | 9.00 | 10.00 | 11.00 | 12.00 | 13.00 | 14.00 | 15.00 | 16.00 | 17.00 | 18.00 | | |
| | Rated Load Boom 1 | 15.00 | 11.60 | 8.50 | 7.00 | 6.80 | | | | | | | | | | | | | | | |
| | Hook Height B1 | 7.00 | 6.75 | 5.50 | 3.75 | 2.00 | | | | | | | | | | | | | | | |
| | Rated Load Boom 1+2 | | | 10.40 | 8.10 | 6.50 | 6.00 | 5.60 | 4.80 | 4.20 | | | | | | | | | | | |
| | Hook Height B2 | | | 10.50 | 10.00 | 9.50 | 9.25 | 8.50 | 7.25 | 5.00 | | | | | | | | | | | |
| | Rated Load Boom 1+2+3 | | | | 7.40 | 6.00 | 5.40 | 5.00 | 4.35 | 3.90 | 3.55 | 3.25 | 2.90 | *(2.70 t at 11.75 m) | | | | | | | |
| | Hook Height B3 | | | | 13.50 | 13.00 | 13.00 | 12.50 | 11.75 | 11.00 | 10.00 | 8.50 | 6.00 | 2.00 | | | | | | | |
| | Rated Load Boom 1+2+3+4 | | | | | 5.60 | 4.70 | 4.70 | 4.10 | 3.70 | 3.30 | 2.90 | 2.60 | 2.30 | 2.10 | 1.95 | 1.85 @ 14.93 m | | | | |
| | Hook Height B4 | | | | | 16.50 | 16.25 | 16.00 | 15.50 | 15.00 | 14.25 | 13.50 | 12.25 | 11.00 | 9.50 | 7.25 | 2.00 | | | | |
| Rated Load Boom 1+2+3+4+5 | | | | | | | 4.00 | 3.40 | 3.00 | 2.80 | 2.60 | 2.40 | 2.20 | 2.05 | 1.90 | 1.75 | 1.60 | 1.35 | 1.00 | | |
| Hook Height B5 | | | | | | | 19.50 | 19.00 | 18.75 | 18.00 | 17.50 | 16.75 | 16.00 | 15.00 | 14.00 | 12.25 | 10.75 | 8.50 | 2.00 | | |



MINI CRAWLER CRANES



| Crane Model | Fuel (Option) | Max Lifting capacity (t @ m) | No of Boom (#) | Min - Max Outreach (m) | Max Hook Height | Max Boom Angle | Outrigger Span (m) | Hydraulic Tank Capacity | Mass (kg) (Electric) | Dimensions (mm) (Electric) | | |
|----------------|-------------------|------------------------------|----------------|------------------------|-----------------|----------------|--------------------|-------------------------|----------------------|----------------------------|-------------|-------------|
| | | | | | | | | | | Width | Height | Length |
| UR-W094C P2E | Petrol | 0.995 @ 1.5 | 4 | 0.15 - 5.17 | 5.6 m | 78° | 3.34 X 3.21 | 17 liters | 1000 | 595 | 1290 | 1870 |
| UR-W295C P2 | Petrol (Electric) | 2.93 @ 1.4 | 5 | 0.45 - 8.41 | 8.8 m | 78° | 3.88 X 3.93 | 27 liters | 1850 (1980) | 600 | 1375 (1430) | 2690 |
| UR-W295C 4 | Diesel (Electric) | 2.93 @ 1.4 | 5 | 0.45 - 8.41 | 8.8 m | 78° | 3.88 X 3.93 | 27 liters | 1920 (2040) | 600 | 1380 (1450) | 2730 (2900) |
| UR-W295C B2A | Battery | 2.93 @ 1.4 | 5 | 0.45 - 8.41 | 8.9 m | 78° | 3.86 X 3.91 | | 2350 | 690 | 1525 | 2720 |
| UR-W376C 4 | Diesel (Electric) | 3.03 @ 2.5 | 6 | 0.62 - 14.45 | 14.9 m | 80° | 4.56 X 4.44 | 75 liters | 3870 (4020) | 1300 | 1805 | 4340 |
| UR-W546C 4 | Diesel (Electric) | 4.05 @ 2.5 | 6 | 0.66 - 15.52 | 16.0 m | 80° | 5.90 X 5.94 | 75 liters | 4930 (5080) | 1380 | 2035 | 4870 |
| UR-W547C 4 | Diesel (Electric) | 4.05 @ 2.5 | 7 | 0.80 - 17.83 | 18.2 m | 80° | 5.90 X 5.94 | 75 liters | 5070 (5220) | 1380 | 1980 | 4950 |
| UR-W706C 4 | Diesel (Electric) | 6.05 @ 3.0 | 6 | 0.51 - 18.60 | 19.5 m | 80° | 6.55 X 6.46 | 125.7 L | 7990 (8140) | 1670 | 2190 | 5610 |
| UR-W1006C 2E-1 | Diesel (Electric) | 10.14 @ 3.0 | 6 | 0.04 - 21.93 | 22.8 m | 80° | 6.66 X 7.06 | 215 L | 13840 (14020) | 2000 | 2460 | 6060 |

STANDARD EQUIPMENT: Radio Remote Control, Auto Stop for Overwinding, Auto Hook Block Stowing, Emergency Stop Button, Level Indicator

*Specifications are subject to change without prior information.



FINE EQUIPMENTS INDIA PVT. LTD.

Fine Centre, Behind Shroff's Shrushti
Off mumbai Bangalore Highway,
Mhalunge, Pune -411045
Maharashtra, INDIA

Tel: +91 83082 88600 , 93264 39921
Email: info@fineequipment.net
Web: www.fineequipment.net
Facebook: /fineequipments

STRENGTH YOU CAN TRUST