

**HEMAN 175**

SKID STEER LOADER

BS-III & BS-IV

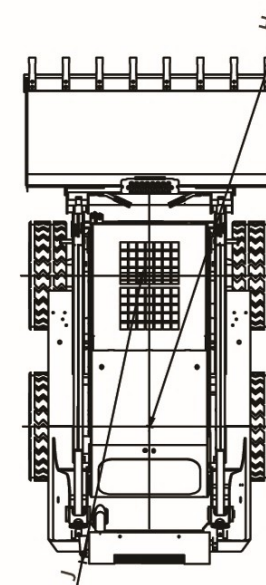
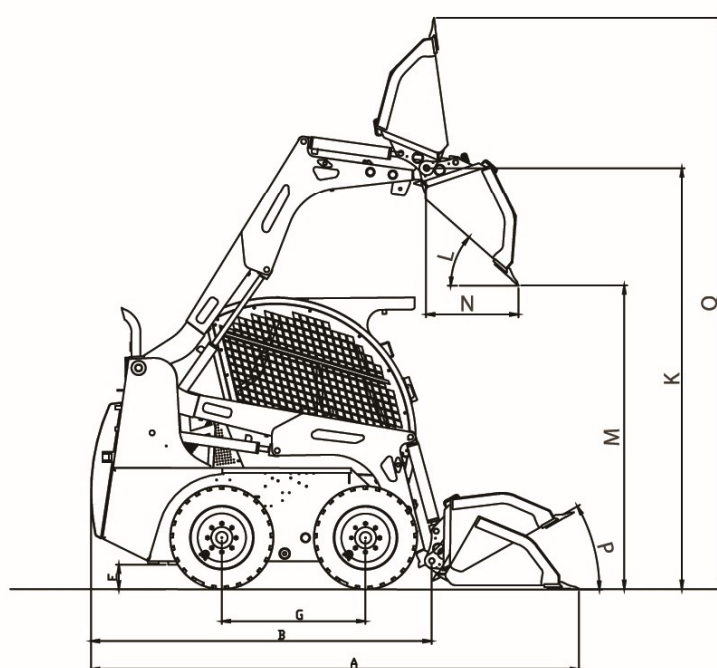
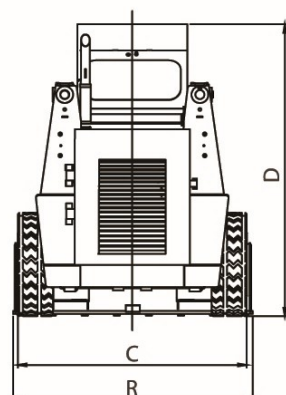
**MULTI UTILITY**  
**POWERFUL ATTACHMENT**  
**VERSATILE SPECIAL**  
**DESIGN SAFETY**



[www.fineequipment.net](http://www.fineequipment.net)

**STRENGTH YOU CAN TRUST**

## HEMAN 175 SKID STEER LOADER



### DIMENSIONS

	mm/deg
A - Length with bucket	3475
B - Length without bucket	2570
C - Width over tyres	1650
D - Overall Height	2100
E - Ground clearance	195
F - Departure angle rear	26
G - Wheelbase	1023
H - Turning radius rear corner	2110
J - Turning radius bucket corner	2680
K - Pin height	3022
L - Dump angle	40
M - Dump Height	2180
N - Reach at dump height	642
P - Roll back angle at ground	30
Q - Max reach at full height	4000
R - Bucket width (Standard)	1708

### FEATURES

Multi-disc parking brakes  
Gear drive  
Front cab access  
Fuel water trap  
Hydraulic parallel lift  
Adjustable seat  
Instruments audio/visual  
Instruments  
Dual element air cleaner  
Chassis-rigid fully welded high tensile steel structure  
Roof window for enhanced operating visibility.  
Rear window for emergency exit.  
Heavy duty gear boxes with slip-free gears.  
Axles of high ductile forgings, self lubricating.

#### Mechanical hitch for quick change of attachments.

Ergonomically designed seat, user friendly controls.  
Visual and audio warning to prevent system failures.  
Adequate inbuilt safety measures for operator/machine.  
Hydraulic tilt back cabin for maintenance ease.  
Easy to maintain and service with normal tools.

### TRANSMISSION

Hydrostatic 4X4 independent drive through  
Tandem variable displacement axial pumps  
Fixed displacement low speed high torque motors

#### Final drive through positive gear drive (Train)

### TYRES

Front/ rear	10X16.5-10/8PR
Max. travel speed	13 kmph

### SPECIFICATION

SAE Operating weight	2900 Kgs
Standard bucket capacity	0.46 cu m.
Time to raise lift arms fully	3-5 Sec.
Breakout force-bucket	18850Nm
Breakout force-lift arm	14450Nm

### STANDARD FEATURES

Auxiliary hydraulics  
Cab - swing up  
Tubeless tyres  
Key stop  
Lift arm stop  
Lifting eyes  
Working light  
Quick hitch  
Roof window  
Safety Seat belt  
Air Cleaner clog warning indicator  
Battery charge  
Charge pump pressure  
Coolant temperature gauge  
Engine oil pressure  
Fuel level gauge  
Hour counter  
Hydraulic oil temperature gauge  
Cabin light  
Rear window for emergency exit  
Hydraulic clog indicator  
Fuel clog indicator  
Cab with front door lock  
Rear view mirrors  
Wiper motor with wiper blade  
Cabin fan  
Head lights with side indicators  
Tool kit  
4 chamber tail lamps

### HYDRAULICS

Engine driven gear pump with valve block, twin arms lift cylinder with end cushion and bucket cylinders.	
Flow (Liters per min)	80
Working pressure (bar)	175

### ELECTRICALS

12 volts negative earth system with battery isolator	
Battery	130AH
Low maintenance alternator	35Amp
Starter motor	12 V

### BRAKES

Service brake: Hydraulically activated and released multi plate Fade free breaks from integral part of drive motors.  
Parking Brake: Electrically activated

### CAPACITIES

Fuel tank	62 Liters
Engine lub oil	13 Liters
Engine coolant	12 Liters
Transmission	16 Liters
Hydraulic system	70 Liters

### PERFORMANCE

Rated operating capacity	600-750 Kgs
Tipping load	1200 Kgs

### ENGINE

**BS III Model**  
Simpson S433 Industrial BS III, 35.79kW/ 48HP/ 48.67PS @2200rpm 4 Cylinder, Liquid Cooled, Diesel Engine, Naturally Aspirated

### ATTACHMENTS

6 IN 1 Bucket  
Sweeper collector  
Ripper tooth  
Backhoe  
Excavator Bucket: 300mm,450mm,600mm  
Ditch Cleaning bucket.  
Pallet Forks  
Industrial grappler  
Rock breaker  
Snow blower  
Steel tracks(Track over tyres)  
Rubber tracks (Track over tyres)  
Post hole borer / Auger  
Shredder  
Snow Blade  
Stump Grinder  
Trencher  
Side Tip Bucket  
High Tip Bucket

### OPTIONAL

Heavy duty tyres/ Solid tyres -Tubeless  
Buckets: Varying capacities upto 0.65 cum limited to machine rating operating capacity.  
Servo Variant also available

*Note : All are variable within ± 1.5%. Vert Equipment Pvt Ltd. reserves the right to change specifications without prior notice.*

## FYN TECHNOLOIES PRIVATE LTD.

A group company of Fine Equipments

Fine Centre, Behind Shroff's Srushti,  
Off Mumbai - Bangalore Highway,  
Mhalunge, Pune 411045. INDIA.

Tel: +91 83082 88600  
+91 93264 39921

Web: [www.fineequipment.net](http://www.fineequipment.net)

### Authorised Dealer: